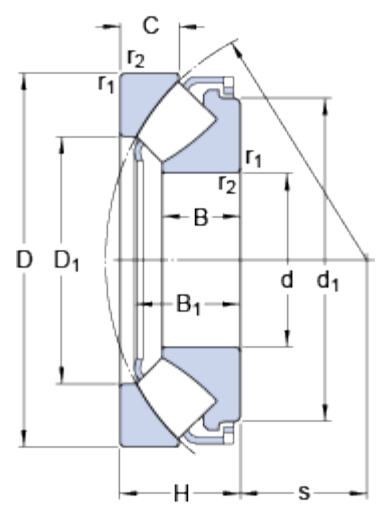


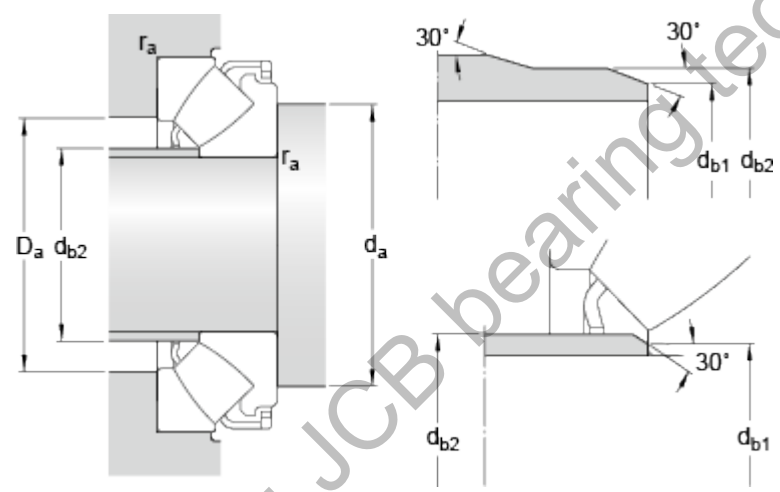
▶
29320

Dimensions



d	100	mm
D	170	mm
H	42	mm
d ₁	≈ 152	mm
D ₁	≈ 128	mm
B	26.2	mm
B ₁	36.3	mm
C	20.5	mm
s	58	mm
r _{1,2}	min. 1.5	mm

Abutment dimensions



d _a	min. 130	mm
d _{b1}	max. 107	mm
d _{b2}	max. 107	mm
D _a	max. 147	mm
r _a	max. 1.5	mm

Calculation data

Basic dynamic load rating	C	465	kN
Basic static load rating	C ₀	1290	kN
Fatigue load limit	P _u	156	kN
Reference speed		2200	r/min
Limiting speed		3600	r/min
Minimum axial load factor	A	0.16	

Mass

Mass bearing	3.65	kg
--------------	------	----